



Snoot (Φ98)



Barn door filter kits (Φ98)



Beauty dish (Φ300)



Softbox (40×40cm)



Remote trigger(AC-04B)



Remote trigger(DC-04B)

Note:the technical parameters and specifications in the instruction manual refer to the calculation data tested under a specific working environment and the normal temperature(23°C).The company reserves the interpretation right of the instruction manual and the right of improving the products described in the instruction manual without the prior notice;the document is carefully checked for the accuracy.The company is not liable to any consequences due to the differences caused by printing or translation.The product's photos in the document may be a little different from the appearances of actual products and thus the actual products shall prevail.

Mini Studio Strobe

Manual Instruction



Mini Studio strobe is one of the perfect light sources in all kinds of studio photography,characterized by large GN,high sensitivity,free interference from daily light source, as well as fast charging; It is not only used as main light, but also as fill light, sidelight, top-light, and foot-light.

With the advantages of high efficiency,large GN,long service life-time,even meet with the fluctuation of network and voltage, this series of electronic strobe still can work normally.

Besides above characters,the strobes also have several kinds of sync functions, such as sensor control,sync flash,test button and so on;At the same time,with excellent color temperature and large range illumination, it can match with all kinds of accessories, for example, soft box,snoot,barn door filter kits, reflector umbrella, and the effect is so perfect!

Technical parameters

Model	100	120
GN	28	32
Recycling time	0.5~2s	
Sensor distance	≥15M	
Color temperature	5500±200K	
Triggering voltage	DC-5V	
Flash duration	1/800s	
Connection way	E27 screw bulb holder	
Green indicator on, power on;Red indicator on,start work normally.		

Warm tips, please read this manual instruction carefully before using
As the product update continuously, there maybe some differences between different batch, all in kind prevail. Please note.

Control panel



- ① Sensor device
- ② Sensor Switch
- ③ E27 screw bulb holder
- ④ Test button

- ⑤ Sync socket(Φ3.5)
- ⑥ Charging indicator
- ⑦ Power indicator
- ⑧ Output adjustment knob
- ⑨ Flash tube

Functions and descriptions

1. Fix the mini strobe into E27 bulb holder, and rotate it towards clockwise.(Pic.1)
2. Set up the accessories according to photography requirements(softbox, snoot and so on).Pic.2
3. Get through the power, as well as power on the switch at the back of the bulb holder, then the power indicator of strobe is on.(Pic.3)
4. When the charging indicator ⑥ is on, that means full charged; Press test button ④, the strobe start to flash(Pic.4)
5. Regulate the output adjustment knob ⑧ according to photography requirements to receive different flash Intensity(Pic.5)
6. The electronic strobe can adopt these kinds of methods to control sync flash, for example, Sync cable, remote trigger, test button.(Pic.6)

Warning

- ※ Must turn off the power source firstly (pull the power cable out of the socket), then start to change the accessories of the light body and maintain or clean the equipment.
1. Keep power off, if not used for long time; As well as make the equipment full charge and then discharge several times by pressing test button, so as to prolong life time of the strobe.
 2. Do not use it in a damp, frigid or high temperature environment.
 3. As there is high voltage inside, non-professional staff shall not disassemble it.
 4. Please pay attention to safety, don't touch the screw strobe holder directly; Should keep power off, when assemble and disassemble the equipment.
 5. The products of the company are guaranteed for one year from the date of sailing by invoices (excluding bulbs, outer casing and appearance components).

How to use



(Pic.1)



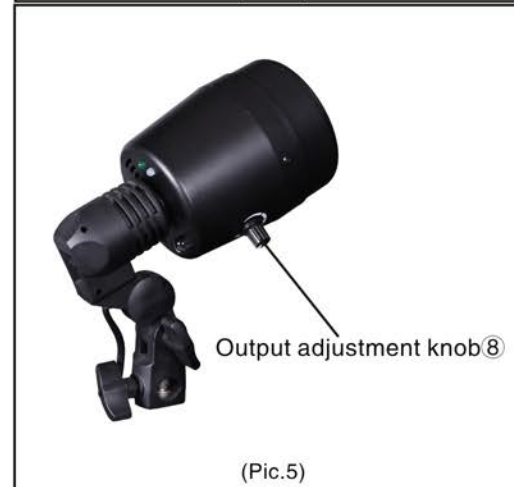
(Pic.2)



(Pic.3)



(Pic.4)



(Pic.5)



(Pic.6)

How to solve the common faults

Fault Phenomenon	Fault reason	How to solve
Power indicator is off with the AC power source connected and the bulb holder power switch is on	Have not turned on the main power switch	Turn on the main power switch
	Power cable is damaged	Replace new power cable
	E27 bulb holder is not connected well	Screw well the bulb holder again
Turn on power switch, the charging indicator becomes green, press test button, but the flash tube cannot work	Test button is damaged	Repaired by professional staff
	Flash tube is damaged	
	There is something wrong with the triggering circuit	
Turn on power switch, the charging indicator becomes green, then press test button, the flash tube work normally, but when use sensor control or remote trigger, will cause non-sync and no flash phenomenon	Sensor device has not received the sync flash light source	Try your best to make the sensor device to receive the flash light source and it can work.
	The remote trigger has not been set well or damaged	Set up the remote trigger or change a new one



可装束光筒(Φ98)



可装蜂巢罩(Φ98)



可装雷达罩



可装柔光箱(S)



交流触发器 AC-04B



直流触发器 DC-04B

注:本说明书的技术参数规格是指在特定的工作环境和常温(23℃)下,所测出计算数据。

本说明书的解释权归本公司所有,本公司保留对使用说明书所描述的产品进行改进而不预先通知的权利;本资料经过认真核对,以求准确,如有任何印刷翻译中可产生之误差,本公司不承担因此产生之后果,本资料的产品图片可能与实物的外观有细微差别,以产品实物为准。

小型影室闪光灯

使用说明书



小型影室闪光灯是各种室内摄影的理想光源,它具有闪光指数大、灵敏度高、不受照明灯干扰、充电快等优点;它既可作主光灯用,也可用于补光、侧光、顶光、脚光的使用。

本系列电子闪光灯闪光效率高、指数大、寿命长,当电网电压发生波动时,本产品保证安全稳定,工作可靠。

它还具有光控、连闪线引闪,试闪等同步功能;该系列闪光灯色温理想,照射角度大,在实际应用中能和各种柔光箱、束光筒、蜂巢罩、反光伞配合使用,则效果更佳。

技术参数

型号	100	120
闪光指数	28	32
回电时间	0.5~2s	
光控距离	≥15M	
色温	5500±200K	
闪光持续时间	1/800秒	
连接方式	E27螺纹灯头	
绿灯亮时为通电,红色灯亮时工作指示		

控制面板



使用功能及说明

- 1、把电子闪光灯顺时针方向拧进E27灯座上。(图1)
- 2、根据拍摄需要,装上所需附件(如柔光箱、束光筒等)。(图2)
- 3、接通电源,并打开灯座上的电源开关,此时电子闪光灯电源指示灯亮。(图3)
- 4、当充电指示灯③亮时,表示已充满电。按下试闪按钮⑥闪光灯工作闪光。(图4)
- 5、根据摄影需要,来调节闪光功率调节旋钮⑤,得到闪光强度的大小。(图5)
- 6、电子闪光灯可采用线控或安装遥控触发器或直接光控同步闪光。(图6)

注意事项

- ※ 在更换附件和保养本机时,务必要先断开电源(电源线拔离插座)。
- 1、长期不用时,应切断电源,并隔一段时间给电子闪光灯充电试闪几次,可延长电子闪光灯寿命。
 - 2、在干燥避热处存放,勿受潮受热。
 - 3、内有高压、非专业人员不要随意拆卸电子闪光灯,如有故障,请交本公司修理部或本公司特约维修部修理。
 - 4、使用时请注意安全,勿触及螺纹灯头;装拆电子闪光灯时,应先关闭电源。
 - 5、本灯出厂前经过严格检验,质量可靠。使用中如发现疑点或故障,从出售之日起,凭发票和保修证,可在就近保修部或在本公司修理部保修壹年。

使用方法(示意图)



常见故障、原因及处理方法

故障	原因	处理方法
连接好AC电源后开启灯座的电源开关,电源指示灯不亮	未闭合电源总开关	闭合电源总开关
	电源线损坏	更换新电源线
	E27灯头未连接好	重新拧紧灯头
开启电源开关后,充电指示灯已变为绿色,按试闪按钮而灯管不闪光	试闪按钮已损坏	请专业人士维修更换
	闪光灯管已损坏	
	触发线路有问题	
开启电源开关后,充电指示灯已变为绿色,用试闪按钮测试闪光灯管,正常闪光!而用光控或遥控触发时出现不同步或不引闪	光控接收器未接收到同步闪光光源	想办法使光控接收管接收到同步闪光光源,即可同步
	遥控器未设置好或遥控器损坏	设置好遥控触发器各项功能或更换新的遥控触发器